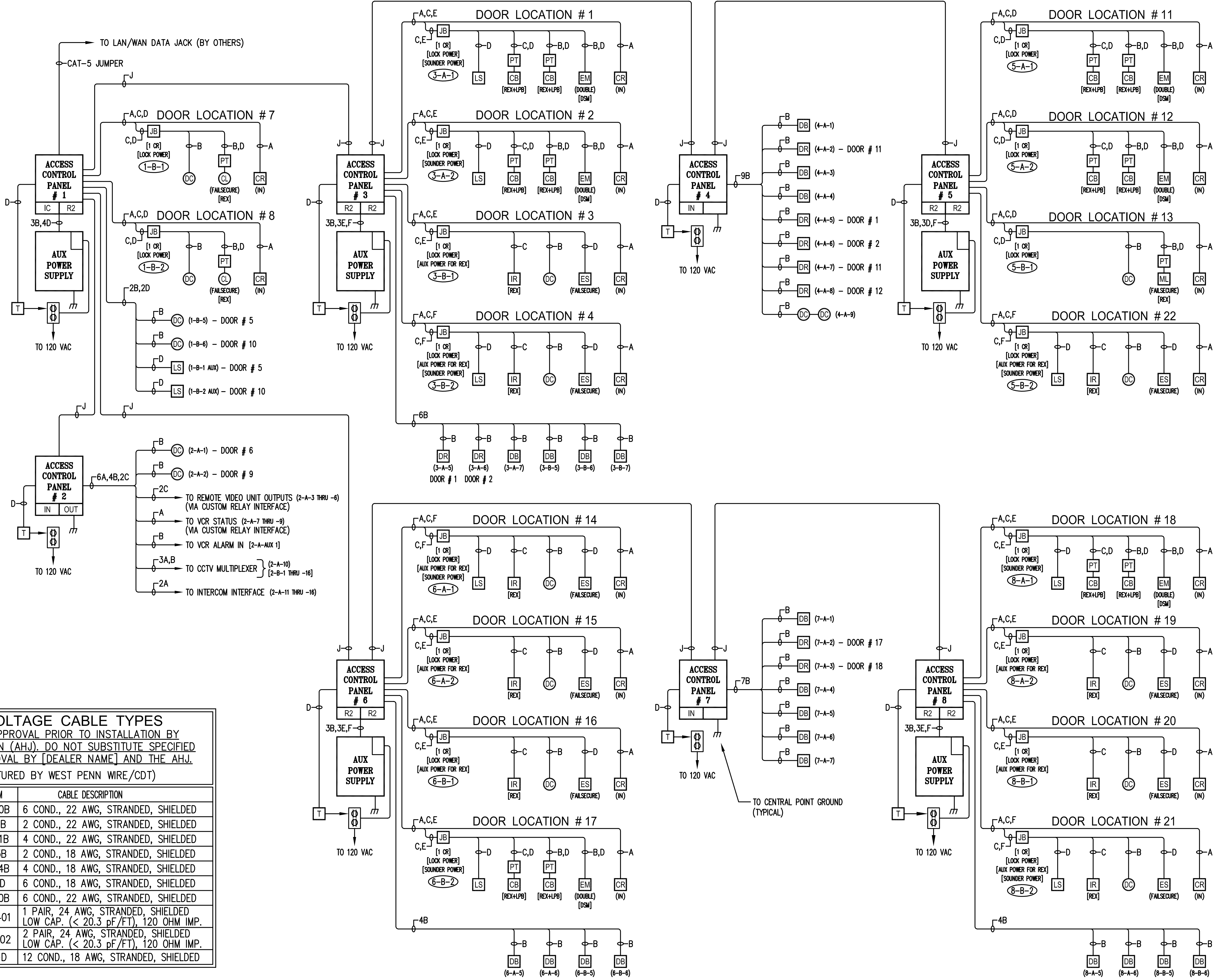


SYMBOL LEGEND	
[JB]	JUNCTION BOX
[IR]	REQUEST TO EXIT INFRARED DETECTOR
[DC]	DOOR CONTACT - N.C.
[ES]	24 VDC ELECTRIC STRIKE (FAIL SECURE)
[CR]	CARD READER (PR-THIN)
[CB]	CRASHBAR N.C. & N.O. (REX & LPB)
[PT]	POWER TRANSFER HINGE
[EM]	24 VDC DOUBLE MAGNETIC LOCK w/DSM
[LS]	24 VDC LOCAL SOUNDER
[IC]	INTERCOM STATION
[DR] ()	DOOR RELEASE BUTTON () = DOOR(S) CONTROLLED
[DL]	24 VDC CYLINDRICAL LOCKSET w/REX (FAIL SECURE)
[ML]	24 VDC MORTISED LOCKSET w/REX (FAIL SECURE)
[DB]	DURESS BUTTON
[T]	PLUG-IN TRANSFORMER
[CS-##]	CCTV CAMERA STATION
[CCTV RACK]	CCTV EQUIPMENT RACK
[AUX PS]	AUXILIARY POWER SUPPLY
[IC JB]	INTERCOM SYSTEM JUNCTION BOX
[ICM #]	INTERCOM MASTER STATION
[21" MON]	CCTV MONITOR
[#-X-#]	INPUT POINT NUMBER
[#-X-#]	OUTPUT POINT NUMBER
[#-X-#]	BOARD READER NUMBER BOARD POSITION (A OR B) ACCESS CONTROL PANEL NUMBER
[XX XX]	POSITION "B" BOARD TYPE POSITION "A" BOARD TYPE

REX = REQUEST TO EXIT
 LPB = LOCK POWER BREAKING
 DSM = DOOR STATUS MONITORING

SYSTEM LOW VOLTAGE CABLE TYPES
 ALL CABLES SUBJECT TO APPROVAL PRIOR TO INSTALLATION BY AUTHORITY HAVING JURISDICTION (AHJ). DO NOT SUBSTITUTE SPECIFIED CABLES WITHOUT PRIOR APPROVAL BY [DEALER NAME] AND THE AHJ.
 (ALL CABLES MANUFACTURED BY WEST PENN WIRE/CDT)

SYM	GENERAL USAGE	NON-PLENUM	PLENUM	CABLE DESCRIPTION
A	READER	3270	253270B	6 COND., 22 AWG, STRANDED, SHIELDED
B	ALARM POINT	291	25291B	2 COND., 22 AWG, STRANDED, SHIELDED
C	ALARM POINTS	3241	253241B	4 COND., 22 AWG, STRANDED, SHIELDED
D	POWER/DOOR	293	25293B	2 COND., 18 AWG, STRANDED, SHIELDED
E	POWER/DOOR	3244	253244B	4 COND., 18 AWG, STRANDED, SHIELDED
F	POWER/DOOR	3021	T-B-D	6 COND., 18 AWG, STRANDED, SHIELDED
G	STATUS/REX PIR	3270	253270B	6 COND., 22 AWG, STRANDED, SHIELDED
H	COMMUNICATIONS	D2401	D252401	1 PAIR, 24 AWG, STRANDED, SHIELDED LOW CAP. (< 20.3 pF/FT), 120 OHM IMP.
J	COMMUNICATIONS	D2402	D252402	2 PAIR, 24 AWG, STRANDED, SHIELDED LOW CAP. (< 20.3 pF/FT), 120 OHM IMP.
K	KEYPAD	3283	T-B-D	12 COND., 18 AWG, STRANDED, SHIELDED



GENERAL NOTES

- 1) INSTALLATION METHODS TO MEET ALL APPLICABLE CODES AND SPECIFICATIONS.
- 2) COORDINATE EQUIPMENT INSTALLATION AS REQUIRED WITH ALL TRADES.
- 3) DRAWINGS ARE FOR REFERENCE USE ONLY - REFER TO ASSOCIATED EQUIPMENT INSTALLATION MANUALS FOR ADDITIONAL INFORMATION AND REQUIREMENTS.
- 4) FOR EQUIPMENT LOCATIONS REFER TO ASSOCIATED BUILDING FLOOR PLANS.
- 5) INSTALLING CONTRACTOR TO VERIFY ALL DEVICE COUNTS, LOCATIONS AND INSTALLATION REQUIREMENTS. DIRECT ANY COMMENTS TO [DEALER NAME].

CUSTOMER NAME
CUSTOMER ADDRESS
 CITY, STATE ZIP
 SITE LOCATION

DEALER NAME
 STREET ADDRESS
 CITY, STATE ZIP
 PHONE FAX

CAD FILE:
 CAD_GROUP_RSR-01
 DATE: 20MAR06 REVISION: SAMPLE

DRAWING TITLE:
 RISER DIAGRAM
 ACCESS CONTROL SYSTEM

RSR - 01
 SHEET ___ OF ___